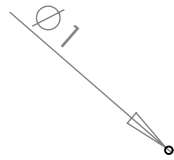


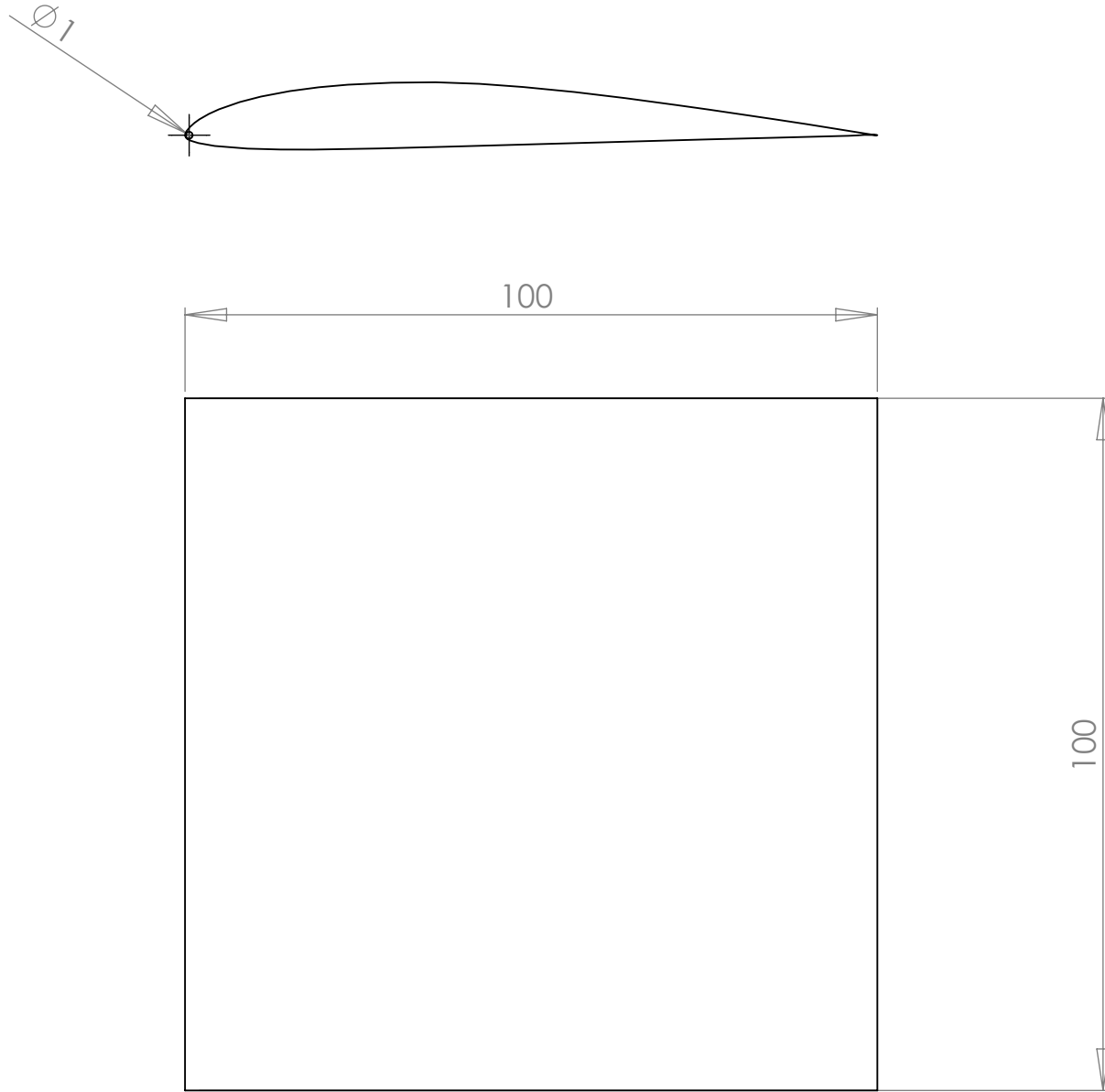
Rep	PIECES	DESCRIPTION	QTE
1	corde piano 1mm		1
2	aile	Dépron	1

Assemblage aile

$\varnothing 1$

A dimension line for a diameter, consisting of a diagonal line with a small circle at the end and a tick mark pointing towards the center.

corde piano 1mm



Aile